

FLEX INOX+PVC (ACS)
 G1/2" - G1/2" L=800mm
 cod. 00403000043

SHOWER
 cod. 00502000001

"L" PIPE ϕ 18x200
 cod. 00602000019

CERAMIC DISKS CARTRIDGE DX
 cod. 00304000013

SHORT LEVER
 cod. R0000000028

SHORT LEVER (BLU)
 cod. R0000000026

CERAMIC DISKS CARTRIDGE DX
 cod. 00304000013

FLEX INOX M10x1 - G1/2"
 L=400mm (ACS)
 cod. 00403000039

SPRING
 cod. R0000000059

FLEXIBLE LENGTH 800

FIXING WALL KIT
 cod. 00501000004

PIPE IN THE MIDDLE OF METAL TUBE
 cod. R0000000068

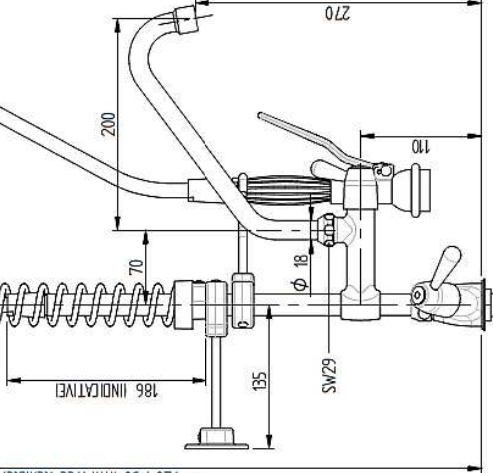
SHORT LEVER (RED)
 cod. R0000000027

CERAMIC DISKS CARTRIDGE SX
 cod. 00304000017

FIXING KIT FOR KITCHEN SINK
 cod. R0000000052

FLEX INOX M10x1 - G1/2"
 L=400mm (ACS)
 cod. 00403000038

G1/2" NON-RETURN VALVE
 cod. R0701030409



FLEX INOX (ACS)
 M10x1 - G1/2"
 L=400mm

sink fixing hole : ϕ 27 mm